



RK 1000B

1U Rackmount Keyboard Drawer

Installation Guide

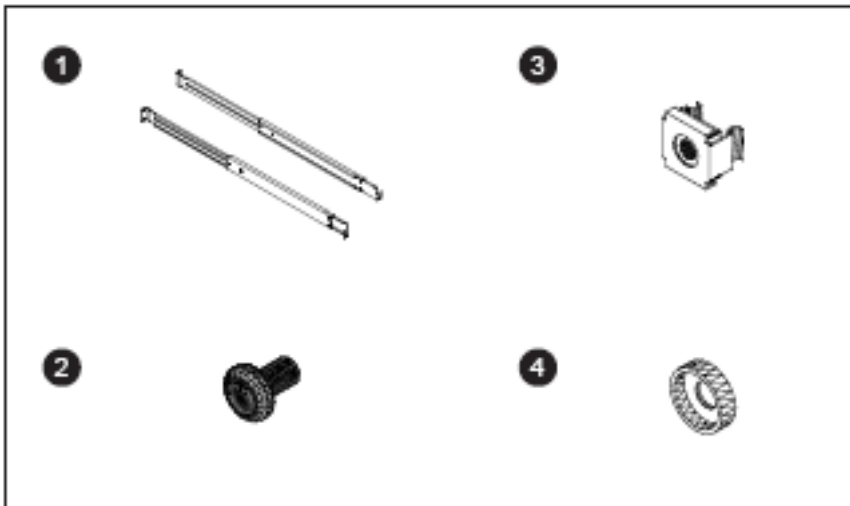
RK 1000B: 1U Rackmount Keyboard Drawer

RK 1000B

1U Rackmount Keyboard Drawer

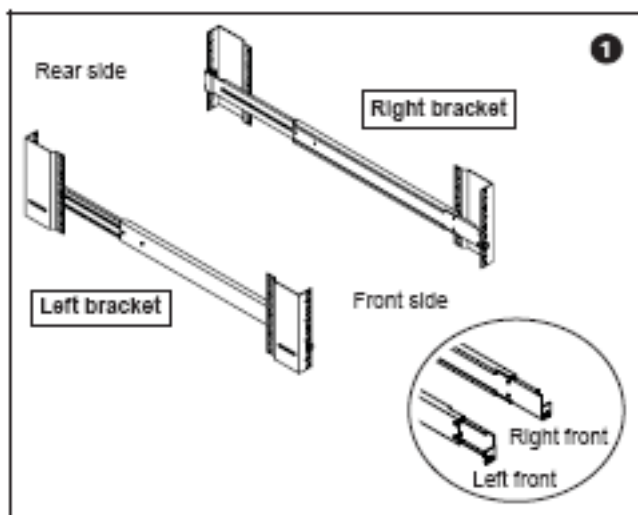
How to install “One Man” Installation slides

Package Contents



- ① Mounting bracket x 2 pcs
- ② M6*15mm screw x 8 pcs
- ③ M6 cage nut x 6 pcs
- ④ Cup washer x 8 pcs

Install into rack

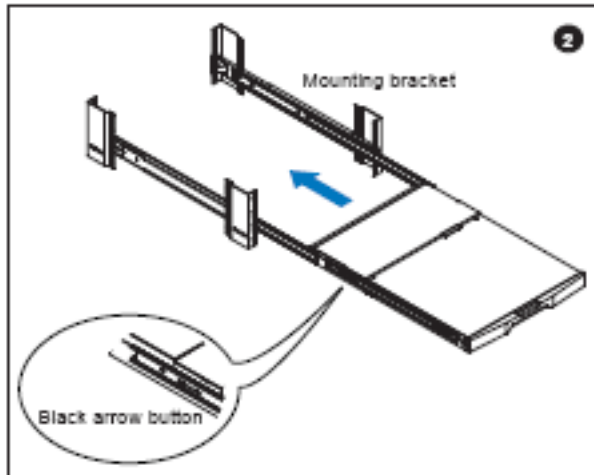


- Attach the left and right mounting bracket to rack 19" mounting rails.
 - Adjust the rear mounting bracket to fit your rack.
 - M6 screw and cup washer x 6 pcs included.
- ⚠ Caution :** Leaving the screws slightly loose, until you complete the installation in step ④

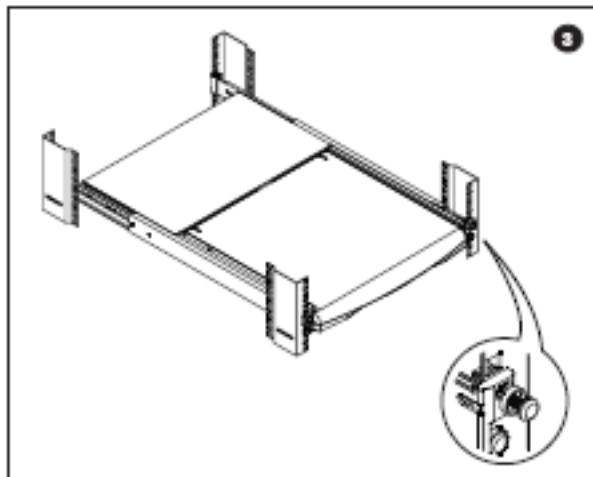
RK 1000B

1U Rackmount Keyboard Drawer

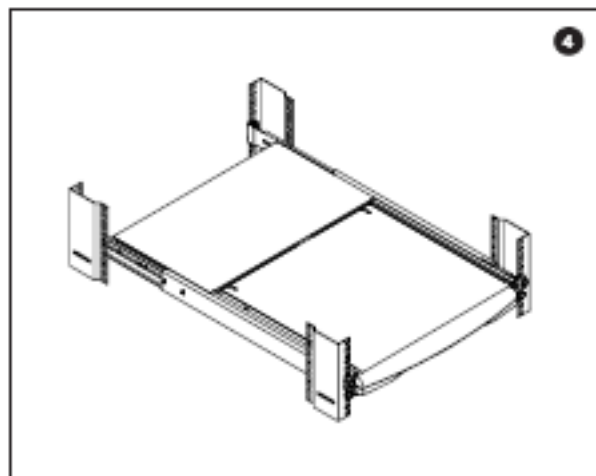
How to install “One Man” installation slides



- Pick up the LCD keyboard drawer.
- Insert the LCD keyboard drawer into the mounting bracket.
- Pull and hold the left & right black arrow buttons on the rails.
- Return the LCD keyboard drawer to park position.



- Attach front left and right mounting ears of the LCD keyboard drawer to vertical mounting rails.
- M6 screw and cup washer x 2 pcs included.



Complete the installation

- Tighten all 8 pcs of M6 screw to complete the installation.